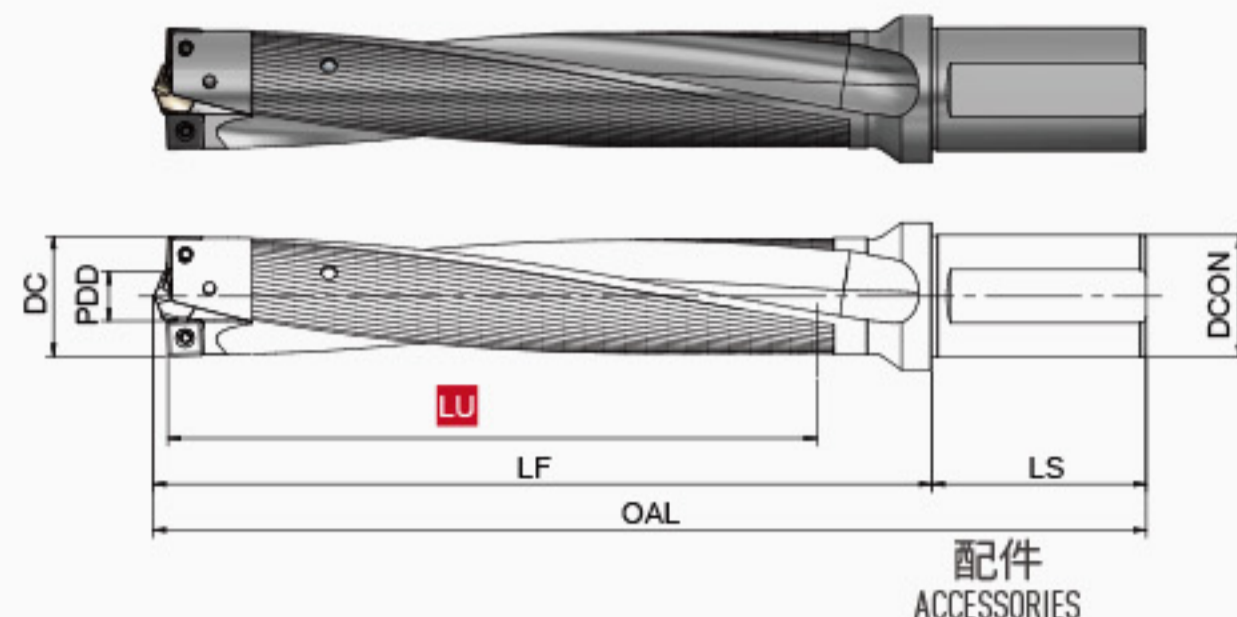


S12-*-03L MONOLITHIC COMPOSITE DRILL 整体复合钻

- 整体式结构;
- 高精度的模块接口, 可在线更换模块;
- 仿形排屑槽, 实现良好的刀杆刚性与排屑性能;
- 侧固式刀柄, 设有3D、5D、8D系列。
- Monolithic structure;
- High-precision module interface, modules can be replaced online;
- Profiled chip flutes, achieve good holder rigidity and chip evacuation performance
- Side-locked tool holder, with 3D, 5D, 8D series.

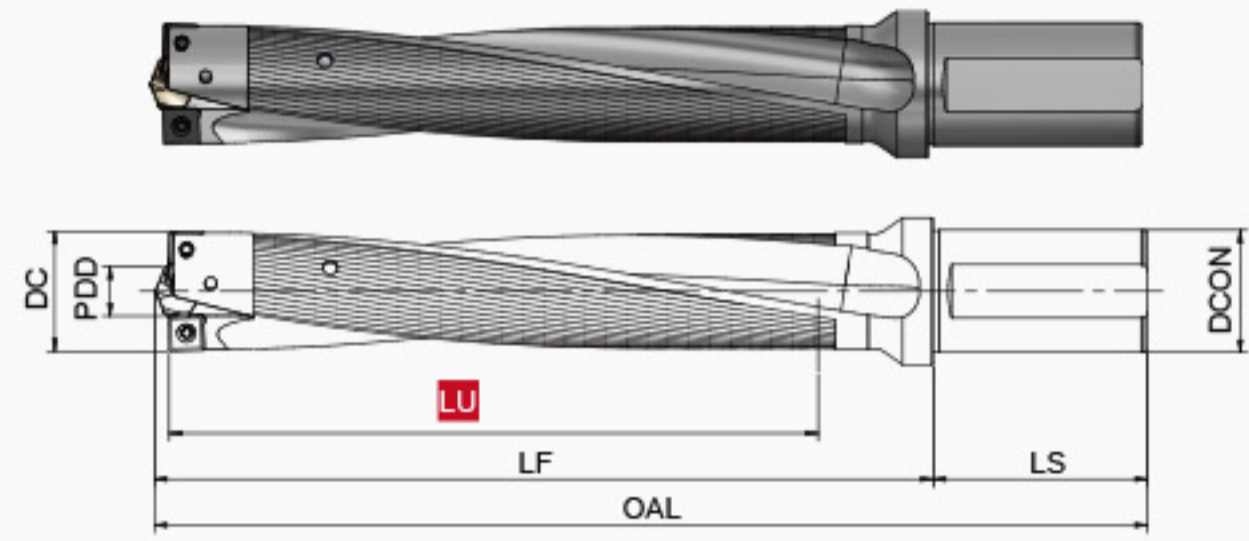


单位(Unit): mm



型号 MODEL	中心刀片型号 CENTRAL INSERT MODEL	复合钻外刀片 COMPOSITE DRILL OUTBOARD INSERT		DC	尺寸 SIZE					配件 ACCESSORIES	
		型号 MODEL	数量 QUANTITY		LU	DCON	LF	OAL	LS		
S12-0300-03L32	S10M-CPC-1650	SM07-4PA	2	30	96	32	137	197	60	2102257	2502036
S12-0310-03L32	S10M-CPC-1750	SM07-4PA	2	31	96	32	137	197	60	2102257	2502036
S12-0320-03L32	S10M-CPC-1850	SM07-4PA	2	32	96	32	137	197	60	2102257	2502036
S12-0330-03L40	S10M-CPC-1550	SM09-4PA	2	33	105	40	151	221	70	2102274	2502038
S12-0340-03L40	S10M-CPC-1650	SM09-4PA	2	34	105	40	151	221	70	2102274	2502038
S12-0350-03L40	S10M-CPC-1750	SM09-4PA	2	35	105	40	151	221	70	2102274	2502038
S12-0360-03L40	S10M-CPC-1850	SM09-4PA	2	36	104	40	163	233	70	2102274	2502038
S12-0370-03L40	S10M-CPC-1650	SM11-4PA	2	37	104	40	163	233	70	2102275	2502061
S12-0380-03L40	S10M-CPC-1750	SM11-4PA	2	38	104	40	163	233	70	2102275	2502061
S12-0390-03L40	S10M-CPC-1850	SM11-4PA	2	39	123	40	176	246	70	2102275	2502061
S12-0400-03L40	S10M-CPC-1950	SM11-4PA	2	40	123	40	176	246	70	2102275	2502061
S12-0410-03L40	S10M-CPC-2050	SM11-4PA	2	41	123	40	176	246	70	2102275	2502061
S12-0420-03L40	S10M-CPC-2150	SM11-4PA	2	42	132	40	188	258	70	2102275	2502061
S12-0430-03L40	S10M-CPC-2250	SM11-4PA	2	43	132	40	188	258	70	2102275	2502061
S12-0440-03L40	S10M-CPC-2350	SM11-4PA	2	44	132	40	188	258	70	2102275	2502061
S12-0450-03L50	S10M-CPC-2450	SM11-4PA	2	45	141	50	203	283	80	2102275	2502061
S12-0460-03L50	S10M-CPC-2050	SM14-4PA	2	46	141	50	202	282	80	2102276	2502062
S12-0470-03L50	S10M-CPC-2150	SM14-4PA	2	47	141	50	202	282	80	2102276	2502062
S12-0480-03L50	S10M-CPC-2250	SM14-4PA	2	48	150	50	214	294	80	2102276	2502062
S12-0490-03L50	S10M-CPC-2350	SM14-4PA	2	49	150	50	214	294	80	2102276	2502062
S12-0500-03L50	S10M-CPC-2450	SM14-4PA	2	50	150	50	215	295	80	2102276	2502062
S12-0510-03L50	S10M-CPC-2550	SM14-4PA	2	51	159	50	227	307	80	2102276	2502062
S12-0520-03L50	S10M-CPC-2650	SM14-4PA	2	52	159	50	227	307	80	2102276	2502062
S12-0530-03L50	S10M-CPC-2750	SM14-4PA	2	53	159	50	227	307	80	2102276	2502062
S12-0540-03L50	S10M-CPC-2850	SM14-4PA	2	54	168	50	239	319	80	2102276	2502062
S12-0550-03L50	S10M-CPC-2950	SM14-4PA	2	55	168	50	239	319	80	2102276	2502062
S12-0560-03L50	S10M-CPC-2150	SM09-4PA	4	56	168	50	238	318	80	2102274	2502038
S12-0570-03L50	S10M-CPC-2250	SM09-4PA	4	57	177	50	250	330	80	2102274	2502038
S12-0580-03L50	S10M-CPC-2350	SM09-4PA	4	58	177	50	250	330	80	2102274	2502038
S12-0590-03L50	S10M-CPC-2450	SM09-4PA	4	59	177	50	250	330	80	2102274	2502038
S12-0600-03L50	S10M-CPC-2550	SM09-4PA	4	60	186	50	263	343	80	2102274	2502038
S12-0610-03L50	S10M-CPC-1950	SM11-4PA	4	61	186	50	262	342	80	2102275	2502061
S12-0620-03L50	S10M-CPC-2050	SM11-4PA	4	62	186	50	262	342	80	2102275	2502061
S12-0630-03L50	S10M-CPC-2150	SM11-4PA	4	63	195	50	274	354	80	2102275	2502061
S12-0640-03L50	S10M-CPC-2250	SM11-4PA	4	64	195	50	274	354	80	2102275	2502061
S12-0650-03L50	S10M-CPC-2350	SM11-4PA	4	65	195	50	274	354	80	2102275	2502061
S12-0660-03L50	S10M-CPC-2450	SM11-4PA	4	66	204	50	287	367	80	2102275	2502061
S12-0670-03L50	S10M-CPC-2550	SM11-4PA	4	67	204	50	287	367	80	2102275	2502061
S12-0680-03L50	S10M-CPC-2650	SM11-4PA	4	68	204	50	287	367	80	2102275	2502061
S12-0690-03L50	S10M-CPC-2750	SM11-4PA	4	69	210	50	296	376	80	2102275	2502061
S12-0700-03L50	S10M-CPC-2850	SM11-4PA	4	70	210	50	296	376	80	2102275	2502061

S12-* -05L MONOLITHIC COMPOSITE DRILL 整体复合钻

- 整体式结构;
- 高精度的模块接口, 可在线更换模块;
- 仿形排屑槽, 实现良好的刀杆刚性与排屑性能;
- 侧固式刀柄, 设有3D、5D、8D系列。
- Monolithic structure;
- High-precision module interface, modules can be replaced online;
- Profiled chip flutes, achieve good holder rigidity and chip evacuation performance
- Side-locked tool holder, with 3D, 5D, 8D series.

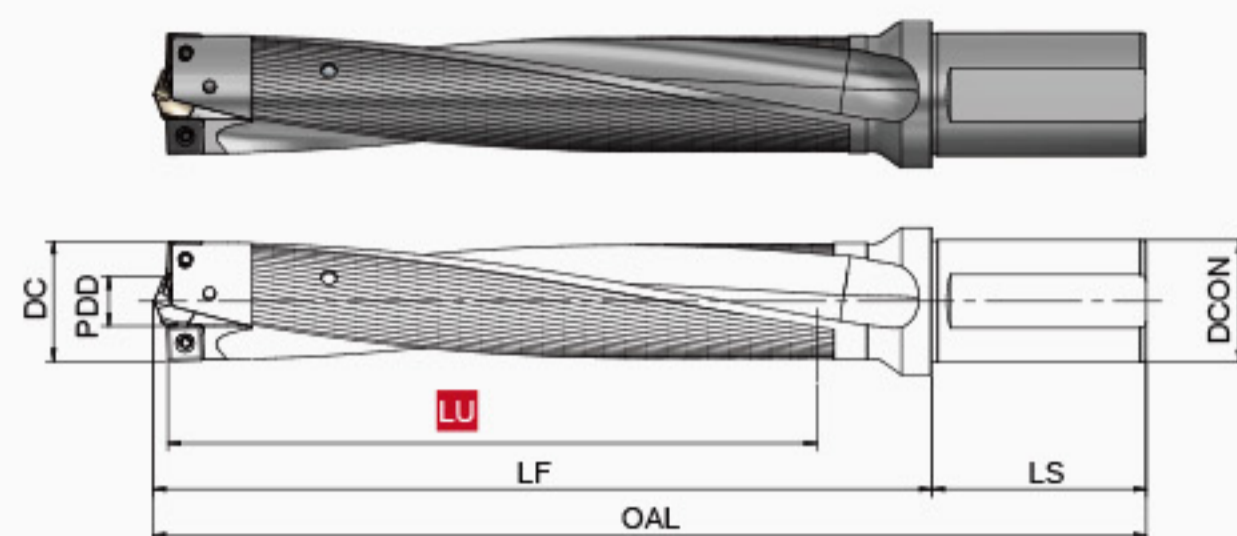


单位(Unit): mm



型号 MODEL	中心刀片型号 CENTRAL INSERT MODEL	复合钻外刀片 COMPOSITE DRILL OUTBOARD INSERT		DC	尺寸 SIZE					配件 ACCESSORIES	
		型号 MODEL	数量 QUANTITY		LU	DCON	LF	OAL	LS		
S12-0300-05L32	S10M-CPC-1650	SM07-4PA	2	30	160	32	201	261	60	2102257	2502036
S12-0310-05L32	S10M-CPC-1750	SM07-4PA	2	31	160	32	201	261	60	2102257	2502036
S12-0320-05L32	S10M-CPC-1850	SM07-4PA	2	32	160	32	201	261	60	2102257	2502036
S12-0330-05L40	S10M-CPC-1550	SM09-4PA	2	33	175	40	221	291	70	2102274	2502038
S12-0340-05L40	S10M-CPC-1650	SM09-4PA	2	34	175	40	221	291	70	2102274	2502038
S12-0350-05L40	S10M-CPC-1750	SM09-4PA	2	35	175	40	221	291	70	2102274	2502038
S12-0360-05L40	S10M-CPC-1850	SM09-4PA	2	36	190	40	239	309	70	2102274	2502038
S12-0370-05L40	S10M-CPC-1650	SM11-4PA	2	37	190	40	239	309	70	2102275	2502061
S12-0380-05L40	S10M-CPC-1750	SM11-4PA	2	38	190	40	239	309	70	2102275	2502061
S12-0390-05L40	S10M-CPC-1850	SM11-4PA	2	39	205	40	258	328	70	2102275	2502061
S12-0400-05L40	S10M-CPC-1950	SM11-4PA	2	40	205	40	258	328	70	2102275	2502061
S12-0410-05L40	S10M-CPC-2050	SM11-4PA	2	41	205	40	258	328	70	2102275	2502061
S12-0420-05L40	S10M-CPC-2150	SM11-4PA	2	42	220	40	276	346	70	2102275	2502061
S12-0430-05L40	S10M-CPC-2250	SM11-4PA	2	43	220	40	276	346	70	2102275	2502061
S12-0440-05L40	S10M-CPC-2350	SM11-4PA	2	44	220	40	276	346	70	2102275	2502061
S12-0450-05L50	S10M-CPC-2450	SM11-4PA	2	45	235	50	297	377	80	2102275	2502061
S12-0460-05L50	S10M-CPC-2050	SM14-4PA	2	46	235	50	296	376	80	2102276	2502062
S12-0470-05L50	S10M-CPC-2150	SM14-4PA	2	47	235	50	296	376	80	2102276	2502062
S12-0480-05L50	S10M-CPC-2250	SM14-4PA	2	48	250	50	314	394	80	2102276	2502062
S12-0490-05L50	S10M-CPC-2350	SM14-4PA	2	49	250	50	314	394	80	2102276	2502062
S12-0500-05L50	S10M-CPC-2450	SM14-4PA	2	50	250	50	315	395	80	2102276	2502062
S12-0510-05L50	S10M-CPC-2550	SM14-4PA	2	51	265	50	333	413	80	2102276	2502062
S12-0520-05L50	S10M-CPC-2650	SM14-4PA	2	52	265	50	333	413	80	2102276	2502062
S12-0530-05L50	S10M-CPC-2750	SM14-4PA	2	53	265	50	333	413	80	2102276	2502062
S12-0540-05L50	S10M-CPC-2850	SM14-4PA	2	54	280	50	351	431	80	2102276	2502062
S12-0550-05L50	S10M-CPC-2950	SM14-4PA	2	55	280	50	351	431	80	2102276	2502062
S12-0560-05L50	S10M-CPC-2150	SM09-4PA	4	56	280	50	350	430	80	2102274	2502038
S12-0570-05L50	S10M-CPC-2250	SM09-4PA	4	57	295	50	368	448	80	2102274	2502038
S12-0580-05L50	S10M-CPC-2350	SM09-4PA	4	58	295	50	368	448	80	2102274	2502038
S12-0590-05L50	S10M-CPC-2450	SM09-4PA	4	59	295	50	368	448	80	2102274	2502038
S12-0600-05L50	S10M-CPC-2550	SM09-4PA	4	60	310	50	387	467	80	2102274	2502038
S12-0610-05L50	S10M-CPC-1950	SM11-4PA	4	61	310	50	386	466	80	2102275	2502061
S12-0620-05L50	S10M-CPC-2050	SM11-4PA	4	62	310	50	386	466	80	2102275	2502061
S12-0630-05L50	S10M-CPC-2150	SM11-4PA	4	63	325	50	404	484	80	2102275	2502061
S12-0640-05L50	S10M-CPC-2250	SM11-4PA	4	64	325	50	404	484	80	2102275	2502061
S12-0650-05L50	S10M-CPC-2350	SM11-4PA	4	65	325	50	404	484	80	2102275	2502061
S12-0660-05L50	S10M-CPC-2450	SM11-4PA	4	66	340	50	423	503	80	2102275	2502061
S12-0670-05L50	S10M-CPC-2550	SM11-4PA	4	67	340	50	423	503	80	2102275	2502061
S12-0680-05L50	S10M-CPC-2650	SM11-4PA	4	68	340	50	423	503	80	2102275	2502061
S12-0690-05L50	S10M-CPC-2750	SM11-4PA	4	69	350	50	436	516	80	2102275	2502061
S12-0700-05L50	S10M-CPC-2850	SM11-4PA	4	70	350	50	436	516	80	2102275	2502061

S12-* -08L MONOLITHIC COMPOSITE DRILL 整体复合钻

- 整体式结构;
- 高精度的模块接口, 可在线更换模块;
- 仿形排屑槽, 实现良好的刀杆刚性与排屑性能;
- 侧固式刀柄, 设有3D、5D、8D系列。
- Monolithic structure;
- High-precision module interface, modules can be replaced online;
- Profiled chip flutes, achieve good holder rigidity and chip evacuation performance
- Side-locked tool holder, with 3D, 5D, 8D series.



单位(Unit): mm

型号 MODEL	中心刀片型号 CENTRAL INSERT MODEL	复合钻外刀片 COMPOSITE DRILL OUTBOARD INSERT		DC	尺寸 SIZE					配件 ACCESSORIES	
		型号 MODEL	数量 QUANTITY		LU	DCON	LF	OAL	LS		
S12-0300-08L32	S10M-CPC-1650	SM07-4PA	2	30	256	32	297	357	60	2102257	2502036
S12-0310-08L32	S10M-CPC-1750	SM07-4PA	2	31	256	32	297	357	60	2102257	2502036
S12-0320-08L32	S10M-CPC-1850	SM07-4PA	2	32	256	32	297	357	60	2102257	2502036
S12-0330-08L40	S10M-CPC-1550	SM09-4PA	2	33	280	40	326	396	70	2102274	2502038
S12-0340-08L40	S10M-CPC-1650	SM09-4PA	2	34	280	40	326	396	70	2102274	2502038
S12-0350-08L40	S10M-CPC-1750	SM09-4PA	2	35	280	40	326	396	70	2102274	2502038
S12-0360-08L40	S10M-CPC-1850	SM09-4PA	2	36	304	40	353	423	70	2102274	2502038
S12-0370-08L40	S10M-CPC-1650	SM11-4PA	2	37	304	40	353	423	70	2102275	2502061
S12-0380-08L40	S10M-CPC-1750	SM11-4PA	2	38	304	40	353	423	70	2102275	2502061
S12-0390-08L40	S10M-CPC-1850	SM11-4PA	2	39	328	40	381	451	70	2102275	2502061
S12-0400-08L40	S10M-CPC-1950	SM11-4PA	2	40	328	40	381	451	70	2102275	2502061
S12-0410-08L40	S10M-CPC-2050	SM11-4PA	2	41	328	40	381	451	70	2102275	2502061
S12-0420-08L40	S10M-CPC-2150	SM11-4PA	2	42	352	40	408	478	70	2102275	2502061
S12-0430-08L40	S10M-CPC-2250	SM11-4PA	2	43	352	40	408	478	70	2102275	2502061
S12-0440-08L40	S10M-CPC-2350	SM11-4PA	2	44	352	40	408	478	70	2102275	2502061
S12-0450-08L50	S10M-CPC-2450	SM11-4PA	2	45	376	50	438	518	80	2102275	2502061
S12-0460-08L50	S10M-CPC-2050	SM14-4PA	2	46	376	50	437	517	80	2102276	2502062
S12-0470-08L50	S10M-CPC-2150	SM14-4PA	2	47	376	50	437	517	80	2102276	2502062
S12-0480-08L50	S10M-CPC-2250	SM14-4PA	2	48	400	50	464	544	80	2102276	2502062
S12-0490-08L50	S10M-CPC-2350	SM14-4PA	2	49	400	50	464	544	80	2102276	2502062
S12-0500-08L50	S10M-CPC-2450	SM14-4PA	2	50	400	50	465	545	80	2102276	2502062
S12-0510-08L50	S10M-CPC-2550	SM14-4PA	2	51	424	50	492	572	80	2102276	2502062
S12-0520-08L50	S10M-CPC-2650	SM14-4PA	2	52	424	50	492	572	80	2102276	2502062
S12-0530-08L50	S10M-CPC-2750	SM14-4PA	2	53	424	50	492	572	80	2102276	2502062
S12-0540-08L50	S10M-CPC-2850	SM14-4PA	2	54	448	50	519	599	80	2102276	2502062
S12-0550-08L50	S10M-CPC-2950	SM14-4PA	2	55	448	50	519	599	80	2102276	2502062
S12-0560-08L50	S10M-CPC-2150	SM09-4PA	4	56	448	50	518	598	80	2102274	2502038
S12-0570-08L50	S10M-CPC-2250	SM09-4PA	4	57	472	50	545	625	80	2102274	2502038
S12-0580-08L50	S10M-CPC-2350	SM09-4PA	4	58	472	50	545	625	80	2102274	2502038
S12-0590-08L50	S10M-CPC-2450	SM09-4PA	4	59	472	50	545	625	80	2102274	2502038
S12-0600-08L50	S10M-CPC-2550	SM09-4PA	4	60	496	50	573	653	80	2102274	2502038
S12-0610-08L50	S10M-CPC-1950	SM11-4PA	4	61	496	50	572	652	80	2102275	2502061
S12-0620-08L50	S10M-CPC-2050	SM11-4PA	4	62	496	50	572	652	80	2102275	2502061
S12-0630-08L50	S10M-CPC-2150	SM11-4PA	4	63	520	50	599	679	80	2102275	2502061
S12-0640-08L50	S10M-CPC-2250	SM11-4PA	4	64	520	50	599	679	80	2102275	2502061
S12-0650-08L50	S10M-CPC-2350	SM11-4PA	4	65	520	50	599	679	80	2102275	2502061
S12-0660-08L50	S10M-CPC-2450	SM11-4PA	4	66	544	50	627	707	80	2102275	2502061
S12-0670-08L50	S10M-CPC-2550	SM11-4PA	4	67	544	50	627	707	80	2102275	2502061
S12-0680-08L50	S10M-CPC-2650	SM11-4PA	4	68	544	50	627	707	80	2102275	2502061
S12-0690-08L50	S10M-CPC-2750	SM11-4PA	4	69	560	50	646	726	80	2102275	2502061
S12-0700-08L50	S10M-CPC-2850	SM11-4PA	4	70	560	50	646	726	80	2102275	2502061