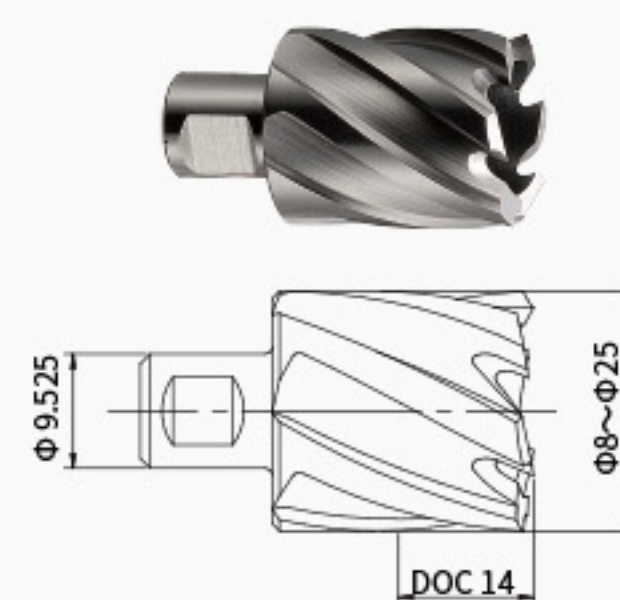


DMHX HSS MINI CUTTER 高速钢小钢板钻

- 直角柄型, 适合各种钻机接口;
- 高速钢, 分层及低摩擦力切削几何;
- 适合多种手电钻、钻床的高效薄板加工;
- Weldon shank, suitable for various magnetic drilling machine;
- HSS with layered and low friction cutting geometry;
- Applicable to hole drilling on sheet metals with electric hand drill and press.



单位(Unit): mm

型号 MODEL	规格 SPECIFICATION	型号 MODEL	规格 SPECIFICATION
DMHX-10080	8*14	DMHX-10180	18*14
DMHX-10100	10*14	DMHX-10200	20*14
DMHX-10120	12*14	DMHX-10220	22*14
DMHX-10130	13*14	DMHX-10240	24*14
DMHX-10140	14*14	DMHX-10250	25*14
DMHX-10160	16*14		

选配件 OPTIONAL ACCESSORIES

匹配顶针 MATCHING PILOT PIN				匹配顶针 PILOT PIN	匹配夹具 MATCHING ARBOR	匹配转换接头 MAGNETIC ADAPTER
钻头直径 DIAMETER	型号 MODEL	规格 SPECIFICATION				
8-25	DPB-31043	3.95*43			DJMW-08-S10	DZKX-01