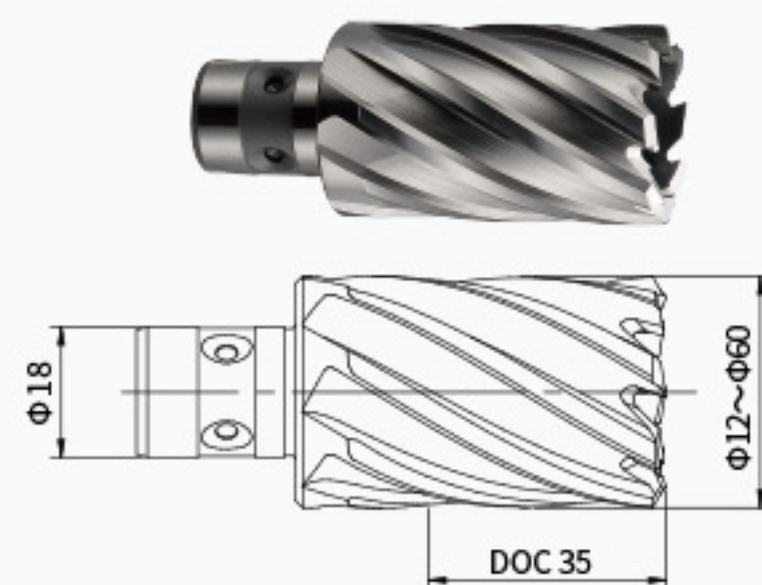


DNHF HSS ANNULAR CUTTER WITH FEIN QUICK-IN SHANK 高速钢F型四孔柄钢板钻

- 四孔柄型, 适合专用钻机的快速接口;
- 超硬高速钢, 分层及低摩擦力切削几何;
- 可选TiAlN, TiN, AlCrN三种涂层, 提升性能;
- Fein Quick-In shank, suitable for quick-in connector of special purpose magnetic drilling machines;
- HSS-E with layered and low friction cutting geometry;
- Choose TiAlN, TiN and AlCrN coatings to improve performance.



单位(Unit): mm

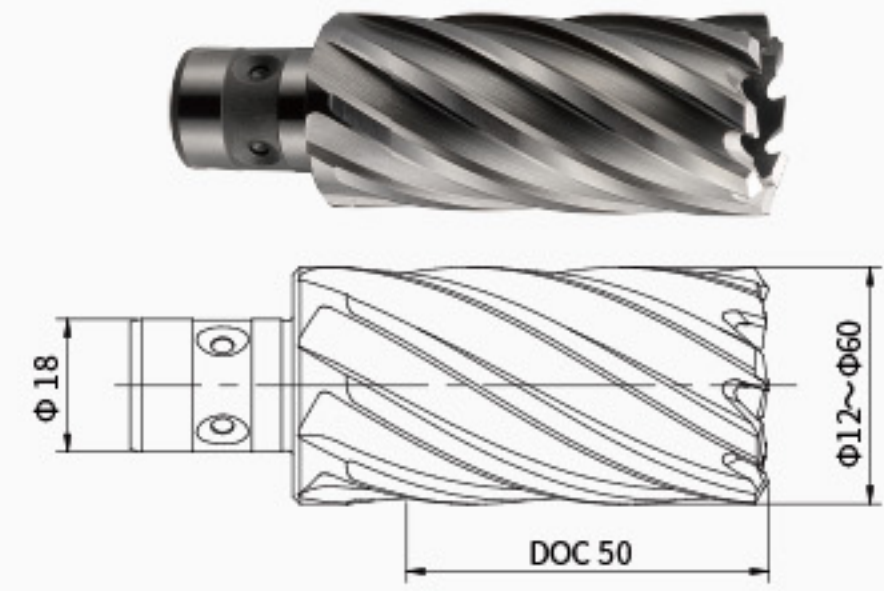
型号 MODEL	规格 SPECIFICATION	型号 MODEL	规格 SPECIFICATION	型号 MODEL	规格 SPECIFICATION	型号 MODEL	规格 SPECIFICATION
DNHF-30120	12*35	DNHF-30250	25*35	DNHF-30380	38*35	DNHF-30510	51*35
DNHF-30130	13*35	DNHF-30260	26*35	DNHF-30390	39*35	DNHF-30520	52*35
DNHF-30140	14*35	DNHF-30270	27*35	DNHF-30400	40*35	DNHF-30530	53*35
DNHF-30150	15*35	DNHF-30280	28*35	DNHF-30410	41*35	DNHF-30540	54*35
DNHF-30160	16*35	DNHF-30290	29*35	DNHF-30420	42*35	DNHF-30550	55*35
DNHF-30170	17*35	DNHF-30300	30*35	DNHF-30430	43*35	DNHF-30560	56*35
DNHF-30180	18*35	DNHF-30310	31*35	DNHF-30440	44*35	DNHF-30570	57*35
DNHF-30190	19*35	DNHF-30320	32*35	DNHF-30450	45*35	DNHF-30580	58*35
DNHF-30200	20*35	DNHF-30330	33*35	DNHF-30460	46*35	DNHF-30590	59*35
DNHF-30210	21*35	DNHF-30340	34*35	DNHF-30470	47*35	DNHF-30600	60*35
DNHF-30220	22*35	DNHF-30350	35*35	DNHF-30480	48*35		
DNHF-30230	23*35	DNHF-30360	36*35	DNHF-30490	49*35		
DNHF-30240	24*35	DNHF-30370	37*35	DNHF-30500	50*35		

选配件 OPTIONAL ACCESSORIES

匹配顶针 MATCHING PILOT PIN			
钻头直径 DRILL DIAMETER	型号 MODEL	规格 SPECIFICATION	顶针 PILOT PIN
12-60	DPB-62090	6.34*90	

DNHF HSS ANNULAR CUTTER WITH FEIN QUICK-IN SHANK 高速钢F型四孔柄钢板钻

- 四孔柄型, 适合专用钻机的快速接口;
- 超硬高速钢, 分层及低摩擦力切削几何;
- 可选TiAlN, TiN, AlCrN三种涂层, 提升性能;
- Fein Quick-In shank, suitable for quick-in connector of special purpose magnetic drilling machines;
- HSS-E with layered and low friction cutting geometry;
- Choose TiAlN, TiN and AlCrN coatings to improve performance.



单位(Unit): mm

型号 MODEL	规格 SPECIFICATION	型号 MODEL	规格 SPECIFICATION	型号 MODEL	规格 SPECIFICATION	型号 MODEL	规格 SPECIFICATION
DNHF-40120	12*50	DNHF-40250	25*50	DNHF-40380	38*50	DNHF-40510	51*50
DNHF-40130	13*50	DNHF-40260	26*50	DNHF-40390	39*50	DNHF-40520	52*50
DNHF-40140	14*50	DNHF-40270	27*50	DNHF-40400	40*50	DNHF-40530	53*50
DNHF-40150	15*50	DNHF-40280	28*50	DNHF-40410	41*50	DNHF-40540	54*50
DNHF-40160	16*50	DNHF-40290	29*50	DNHF-40420	42*50	DNHF-40550	55*50
DNHF-40170	17*50	DNHF-40300	30*50	DNHF-40430	43*50	DNHF-40560	56*50
DNHF-40180	18*50	DNHF-40310	31*50	DNHF-40440	44*50	DNHF-40570	57*50
DNHF-40190	19*50	DNHF-40320	32*50	DNHF-40450	45*50	DNHF-40580	58*50
DNHF-40200	20*50	DNHF-40330	33*50	DNHF-40460	46*50	DNHF-40590	59*50
DNHF-40210	21*50	DNHF-40340	34*50	DNHF-40470	47*50	DNHF-40600	60*50
DNHF-40220	22*50	DNHF-40350	35*50	DNHF-40480	48*50		
DNHF-40230	23*50	DNHF-40360	36*50	DNHF-40490	49*50		
DNHF-40240	24*50	DNHF-40370	37*50	DNHF-40500	50*50		

选配件 OPTIONAL ACCESSORIES

匹配顶针 MATCHING PILOT PIN			
钻头直径 DRILL DIAMETER	型号 MODEL	规格 SPECIFICATION	顶针 PILOT PIN
12-60	DPB-62102	6.34*102	

