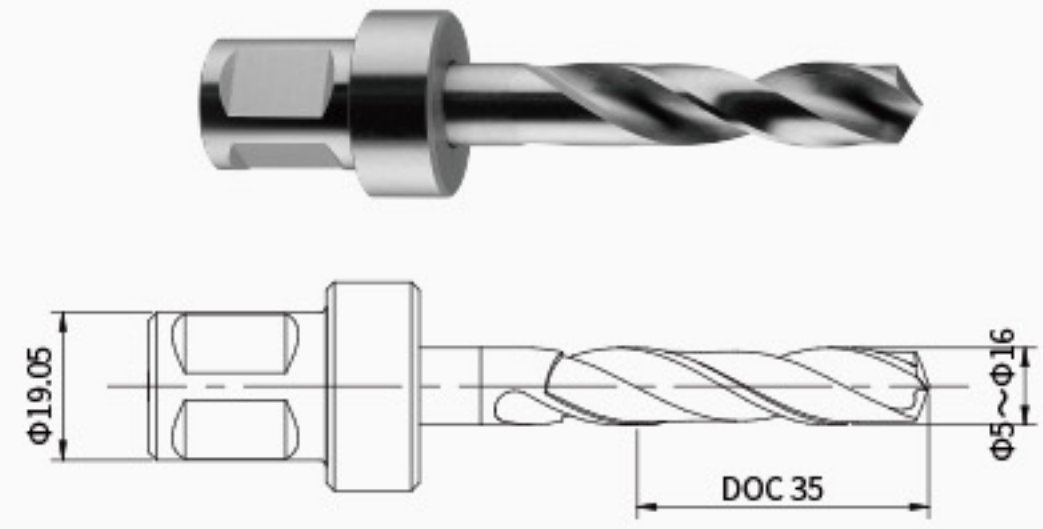


DSFX HSS SOLID ANNULAR CUTTER WITH X-TYPE WELDON SHANK 高速钢X型直角柄实心钻

- 直角柄型, 适合各种钻机接口;
- 广泛应用于螺纹底孔加工, 通用各钢件、铸铁等材料;
- Weldon shank, suitable for various magnetic drilling machine;
- It is widely used in the processing of threaded bottom holes, and used in various steel parts, cast iron and other materials.



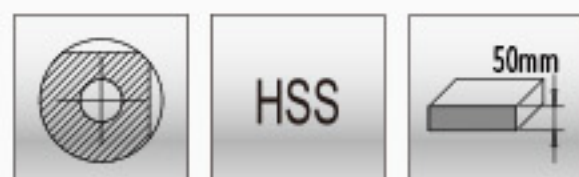
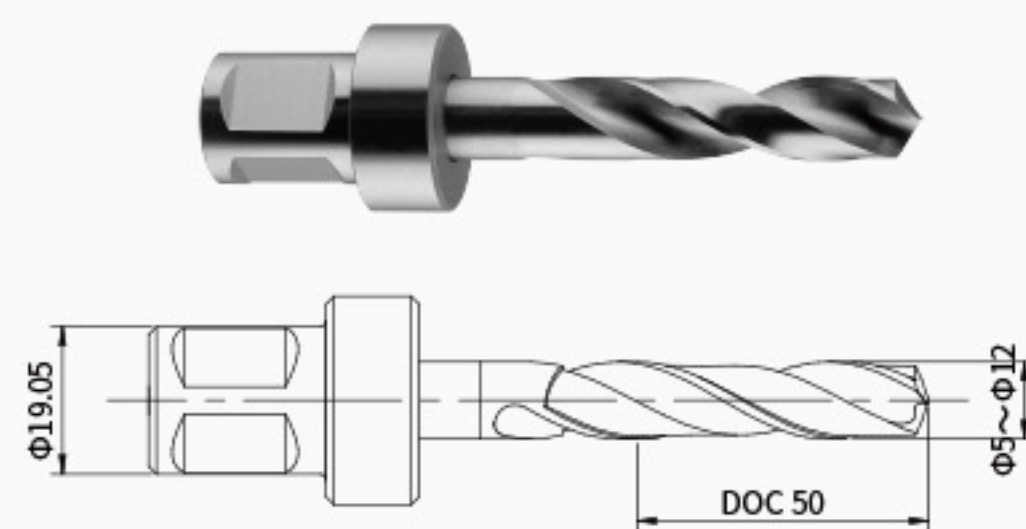
单位(Unit): mm

型号 MODEL	规格 SPECIFICATION	型号 MODEL	规格 SPECIFICATION	型号 MODEL	规格 SPECIFICATION
DSFX-30050	5*35	DSFX-30085	8.5*35	DSFX-30130	13*35
DSFX-30060	6*35	DSFX-30100	10*35	DSFX-30140	14*35
DSFX-30068	6.8*35	DSFX-30102	10.2*35	DSFX-30150	15*35
DSFX-30070	7*35	DSFX-30110	11*35	DSFX-30160	16*35
DSFX-30080	8*35	DSFX-30120	12*35		



DSFX HSS SOLID ANNULAR CUTTER WITH X-TYPE WELDON SHANK 高速钢X型直角柄实心钻

- 直角柄型, 适合各种钻机接口;
- 广泛应用于螺纹底孔加工, 通用各钢件、铸铁等材料;
- Weldon shank, suitable for various magnetic drilling machine;
- It is widely used in the processing of threaded bottom holes, and used in various steel parts, cast iron and other materials.



单位(Unit): mm

型号 MODEL	规格 SPECIFICATION	型号 MODEL	规格 SPECIFICATION	型号 MODEL	规格 SPECIFICATION
DSFX-40050	5*50	DSFX-40080	8*50	DSFX-40103	10.3*50
DSFX-40060	6*50	DSFX-40085	8.5*50	DSFX-40110	11*50
DSFX-40068	6.8*50	DSFX-40090	9*50	DSFX-40120	12*50
DSFX-40070	7*50	DSFX-40100	10*50		

