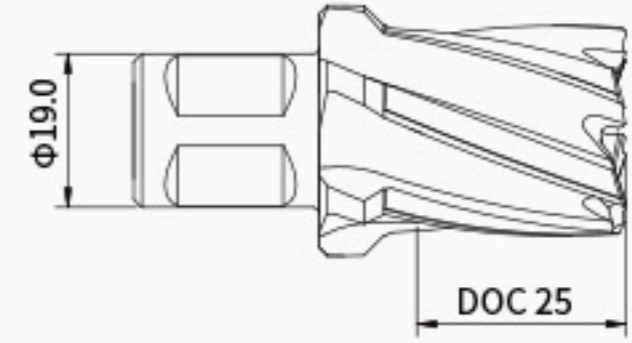


DRH-002L1

HIGH-SPEED STEEL CHAMFERING RAIL CUTTER 钻铤一体钢轨钻

- $\Phi 19.0$ mm柄径;
- 超硬高速钢,性能优越;
- 专用切削刃,切削锋利;
- 带倒角铤钻功能;
- The diameter of shank is 19mm;
- Super hard high speed steel, excellent performance;
- Specialized geometric design, with sharp cutting;
- Function of chamfering.



适配顶针 SUITABLE PILOT PIN

匹配顶针 MATCHING PILOT PIN

型号 MODEL	规格 SIZE	匹配顶针 MATCHED PILOT PIN	顶针 PILOT PIN
DRH-002L1	31*25*61	7.98*77	

