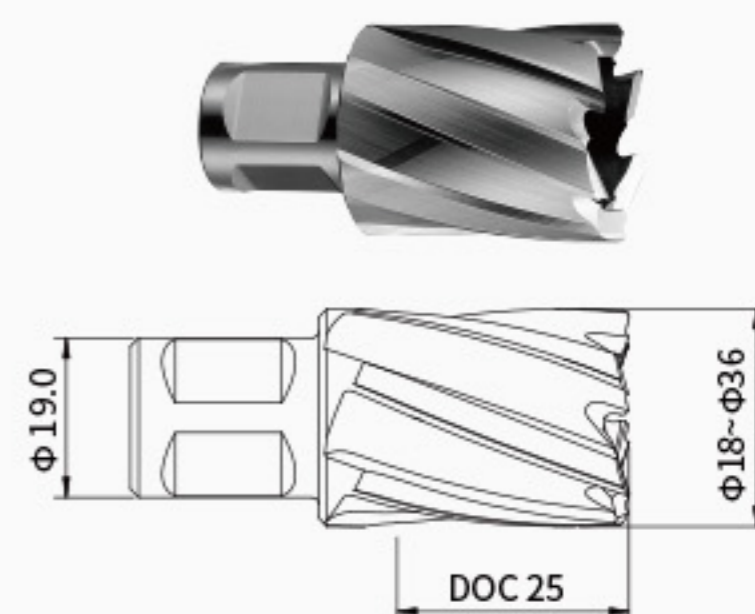


# DRGX HIGH-SPEED STEEL G-TYPE RAIL CUTTER 高速钢钢轨钻 G型


- $\Phi 19.0$ mm柄径;
  - 超硬高速钢, 高红硬性热处理工艺;
  - 专利锋利型切削刃;
  - 可水剂冷却, 油雾冷却, 干式切削应用;
  - 可选PVD涂层, 升级性能。
- The diameter of shank  $\Phi 19.0$ mm;
  - Super hard high speed steel, special heat treatment process;
  - Patented cutting edge geometry;
  - Water cooling and Oil mist cooling are available, Dry cutting applications;
  - PVD coating is available, improve performance.



单位(Unit): mm

型号 MODEL	规格 SPECIFICATION	型号 MODEL	规格 SPECIFICATION	型号 MODEL	规格 SPECIFICATION
DRGX-20180FL	18*25	DRGX-20250FL	25*25	DRGX-20320FL	32*25
DRGX-20190FL	19*25	DRGX-20260FL	26*25	DRGX-20330FL	33*25
DRGX-20200FL	20*25	DRGX-20270FL	27*25	DRGX-20340FL	34*25
DRGX-20210FL	21*25	DRGX-20280FL	28*25	DRGX-20350FL	35*25
DRGX-20220FL	22*25	DRGX-20290FL	29*25	DRGX-20360FL	36*25
DRGX-20230FL	23*25	DRGX-20300FL	30*25		
DRGX-20240FL	24*25	DRGX-20310FL	31*25		

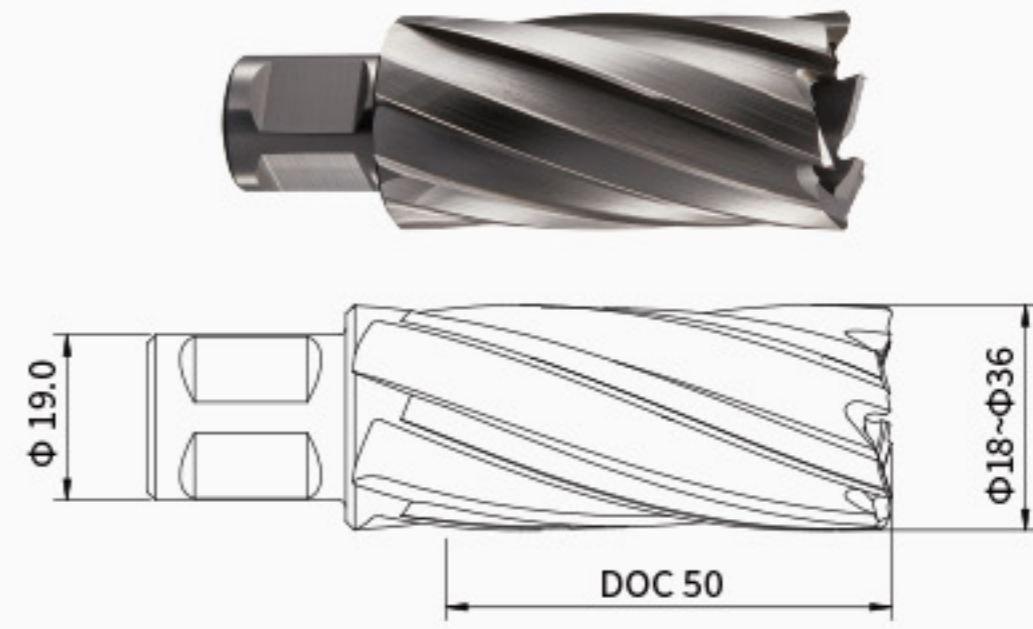
## 适配顶针 SUITABLE PILOT PIN

钻头直径 DIAMETER	匹配顶针 MATCHING PILOT PIN		
	型号 MODEL	规格 SPECIFICATION	顶针 PILOT PIN
$\Phi 18-36$	DPB-81077	7.98*77	

# DRGX HIGH-SPEED STEEL G-TYPE RAIL CUTTER

## 高速钢钢轨钻 G型

- $\Phi 19.0$ mm柄径;
  - 超硬高速钢, 高红硬性热处理工艺;
  - 专利锋利型切削刃;
  - 可水剂冷却, 油雾冷却, 干式切削应用;
  - 可选PVD涂层, 升级性能。
- The diameter of shank  $\Phi 19.0$ mm;
  - Super hard high speed steel, special heat treatment process;
  - Patented cutting edge geometry;
  - Water cooling and Oil mist cooling are available, Dry cutting applications;
  - PVD coating is available, improve performance.



单位(Unit): mm

型号 MODEL	规格 SPECIFICATION	型号 MODEL	规格 SPECIFICATION	型号 MODEL	规格 SPECIFICATION
DRGX-40180FL	18*50	DRGX-40250FL	25*50	DRGX-40320FL	32*50
DRGX-40190FL	19*50	DRGX-40260FL	26*50	DRGX-40330FL	33*50
DRGX-40200FL	20*50	DRGX-40270FL	27*50	DRGX-40340FL	34*50
DRGX-40210FL	21*50	DRGX-40280FL	28*50	DRGX-40350FL	35*50
DRGX-40220FL	22*50	DRGX-40290FL	29*50	DRGX-40360FL	36*50
DRGX-40230FL	23*50	DRGX-40300FL	30*50		
DRGX-40240FL	24*50	DRGX-40310FL	31*50		

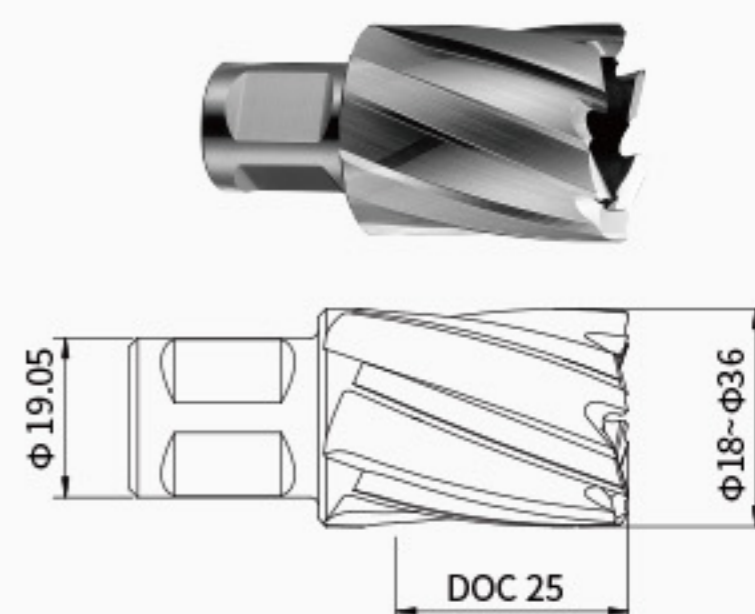
### 适配顶针 SUITABLE PILOT PIN

钻头直径 DIAMETER	匹配顶针 MATCHING PILOT PIN		顶针 PILOT PIN
	型号 MODEL	规格 SPECIFICATION	
$\Phi 18-36$	DPB-81103	7.98*103	



# DRGX HIGH-SPEED STEEL G-TYPE RAIL CUTTER 高速钢钢轨钻 G型


- $\Phi 19.05$ mm柄径;
  - 超硬高速钢, 高红硬性热处理工艺;
  - 专利锋利型切削刃;
  - 可水剂冷却, 油雾冷却, 干式切削应用;
  - 可选PVD涂层, 升级性能。
- The diameter of shank  $\Phi 19.05$ mm;
  - Super hard high speed steel, special heat treatment process;
  - Patented cutting edge geometry;
  - Water cooling and Oil mist cooling are available, Dry cutting applications;
  - PVD coating is available, improve performance.



单位(Unit): mm

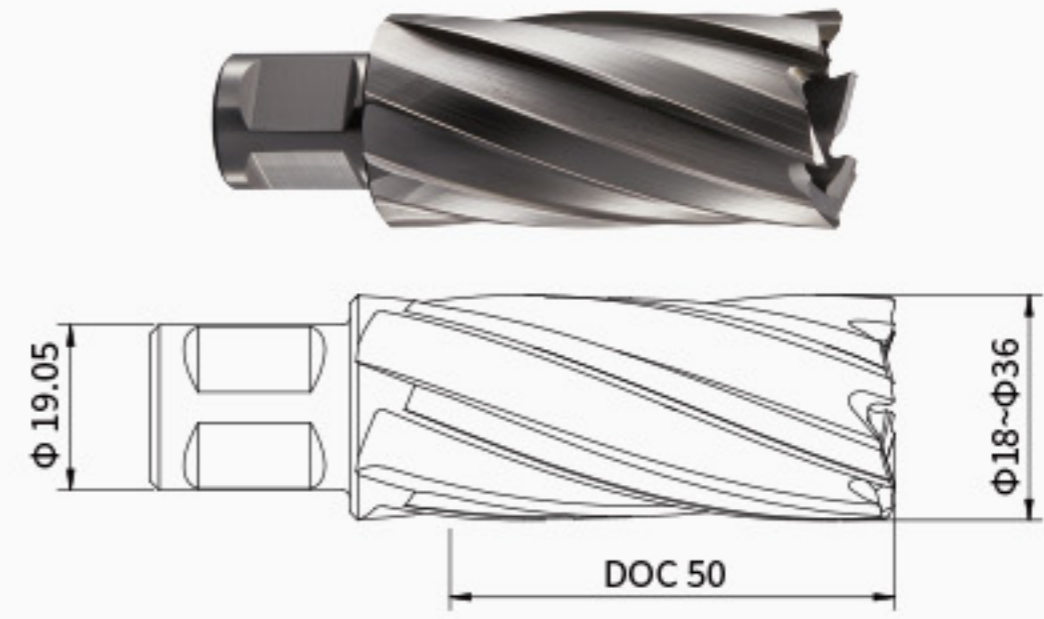
型号 MODEL	规格 SPECIFICATION	型号 MODEL	规格 SPECIFICATION	型号 MODEL	规格 SPECIFICATION
DRGX-20180	18*25	DRGX-20250	25*25	DRGX-20320	32*25
DRGX-20190	19*25	DRGX-20260	26*25	DRGX-20330	33*25
DRGX-20200	20*25	DRGX-20270	27*25	DRGX-20340	34*25
DRGX-20210	21*25	DRGX-20280	28*25	DRGX-20350	35*25
DRGX-20220	22*25	DRGX-20290	29*25	DRGX-20360	36*25
DRGX-20230	23*25	DRGX-20300	30*25		
DRGX-20240	24*25	DRGX-20310	31*25		

## 适配顶针 SUITABLE PILOT PIN

钻头直径 DIAMETER	匹配顶针 MATCHING PILOT PIN		顶针 PILOT PIN
	型号 MODEL	规格 SPECIFICATION	
$\Phi 18-36$	DPB-81077	7.98*77	

# DRGX HIGH-SPEED STEEL G-TYPE RAIL CUTTER 高速钢钢轨钻 G型

- $\Phi 19.05\text{mm}$ 柄径;
  - 超硬高速钢, 高红硬性热处理工艺;
  - 专利锋利型切削刃;
  - 可水剂冷却, 油雾冷却, 干式切削应用;
  - 可选PVD涂层, 升级性能。
- The diameter of shank  $\Phi 19.05\text{mm}$ ;
  - Super hard high speed steel, special heat treatment process;
  - Patented cutting edge geometry;
  - Water cooling and Oil mist cooling are available, Dry cutting applications;
  - PVD coating is available, improve performance.



单位(Unit): mm

型号 MODEL	规格 SPECIFICATION	型号 MODEL	规格 SPECIFICATION	型号 MODEL	规格 SPECIFICATION
DRGX-40180	18*50	DRGX-40250	25*50	DRGX-40320	32*50
DRGX-40190	19*50	DRGX-40260	26*50	DRGX-40330	33*50
DRGX-40200	20*50	DRGX-40270	27*50	DRGX-40340	34*50
DRGX-40210	21*50	DRGX-40280	28*50	DRGX-40350	35*50
DRGX-40220	22*50	DRGX-40290	29*50	DRGX-40360	36*50
DRGX-40230	23*50	DRGX-40300	30*50		
DRGX-40240	24*50	DRGX-40310	31*50		

## 适配顶针 SUITABLE PILOT PIN

钻头直径 DIAMETER	匹配顶针 MATCHING PILOT PIN		顶针 PILOT PIN
	型号 MODEL	规格 SPECIFICATION	
$\Phi 18-36$	DPB-81103	7.98*103	